

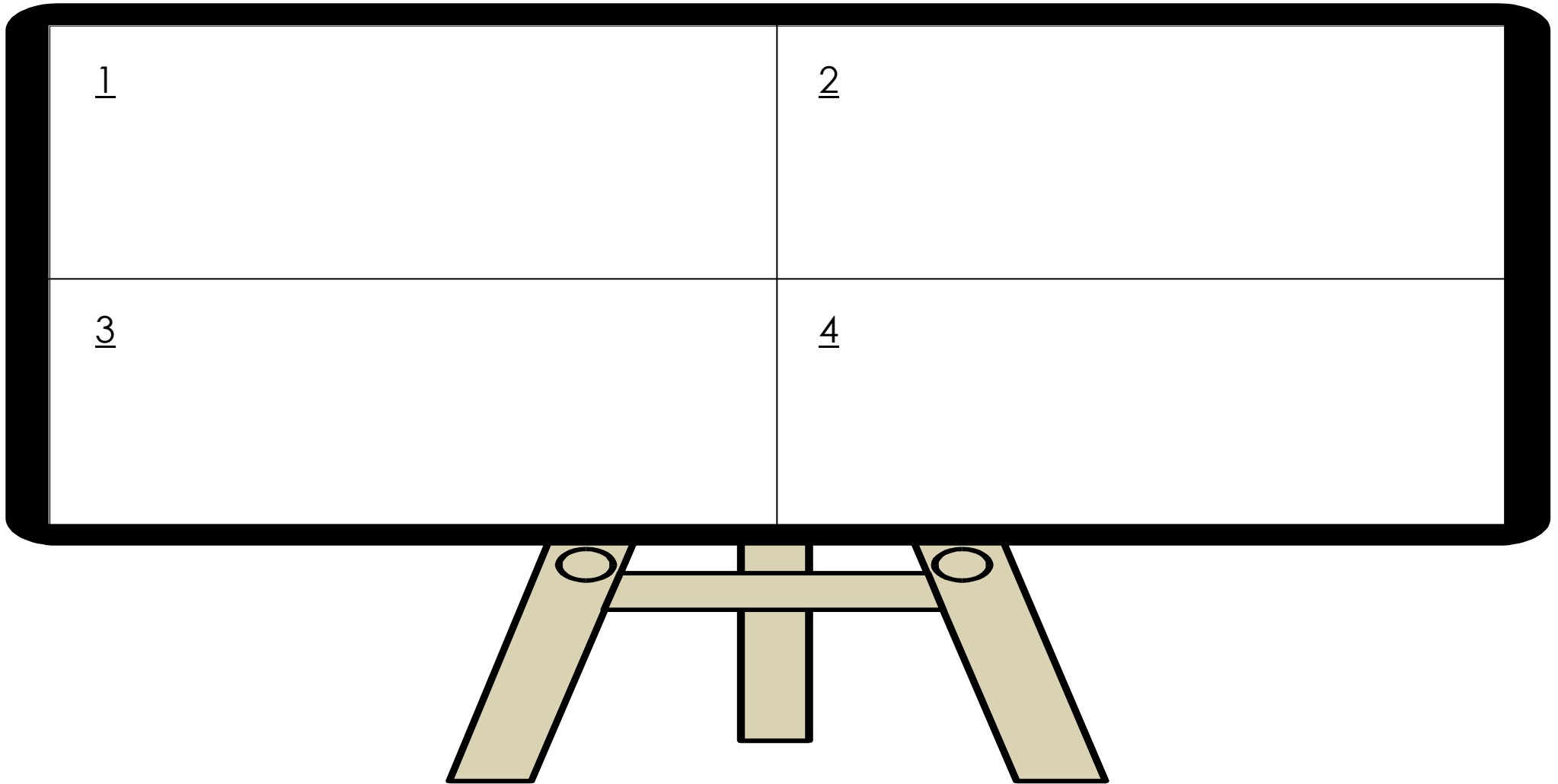
Name: _____

Date: _____

Blackboard Template

Listen to your teacher. Draw what you hear.

1	2
3	4



Copyright © 2012 www.eslpuzzles.com



ESL Puzzles

ESL Materials for Teachers & Students

